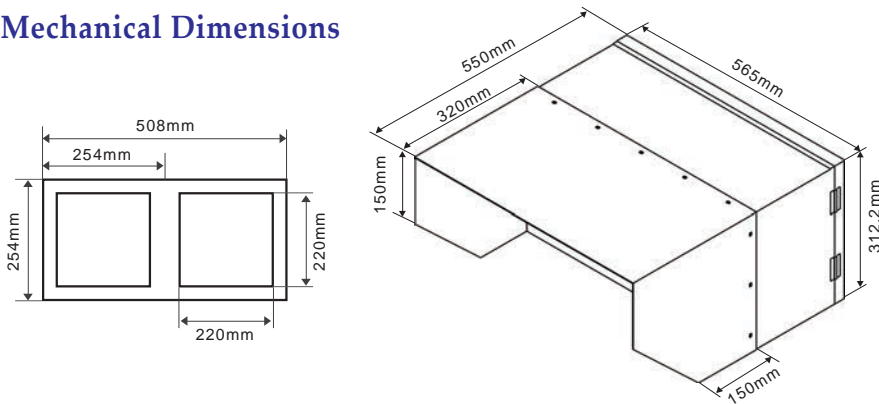


2 Way LED Alphanumeric Stencil Route Indicator



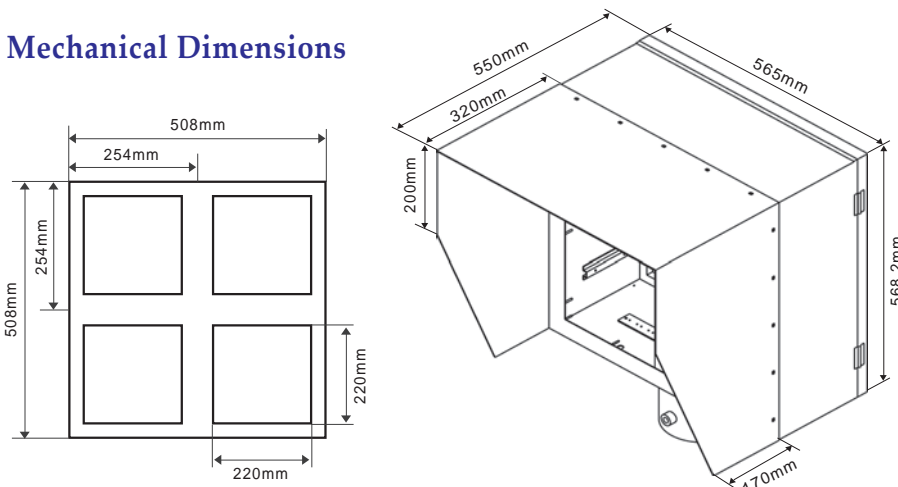
Mechanical Dimensions



4 Way LED Alphanumeric Stencil Route Indicator



Mechanical Dimensions



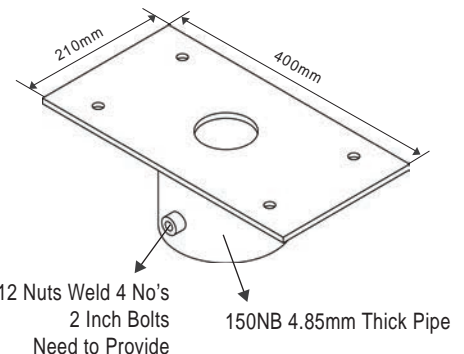
Specifications:

Operating I/P voltage	: 110V AC +/-20% (88V to 132V)
Operating temperature	: -10°C to +70°C
Power rating	: 5W per Character
Display type	: Alphanumeric as per requirement
Character size	: 254 x 254 (mm)
Colour of the display	: White
Visibility in clear day light	: 300 Meters
Ingress Protection	: IP 54

Features:

- ▶ Total LED Technology and Modular assembly for better maintenance.
- ▶ Rated Junction temperature of LED's are greater-than 100°C.
- ▶ Uniform intensity and color over entire Operating Range and throughout the life time.
- ▶ Industrial grade components.
- ▶ Fail safe LED current regulator as used in LED main signal.
- ▶ The circuit has built in inherent safety that it draws the required current whenever the character is lit.
- ▶ AC Immunity of 60V.
- ▶ Single hood for multiple displays.
- ▶ Vertical and Horizontal stacking for two, three and four character indicators.
- ▶ Customisation can be done based as per requirement.

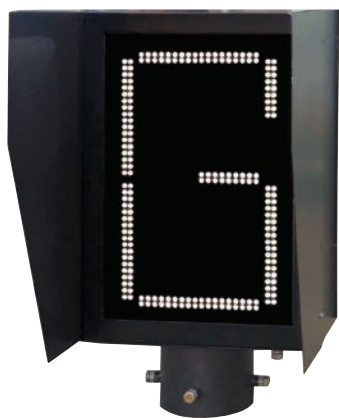
MLRI & SRI Housing Base



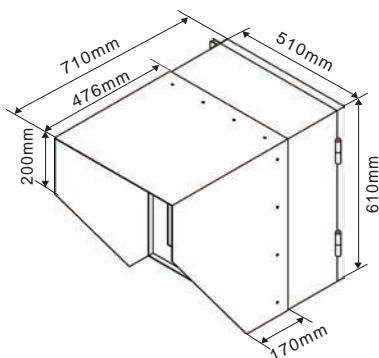
LED MULTI LAMP NUMERIC ROUTE INDICATORS



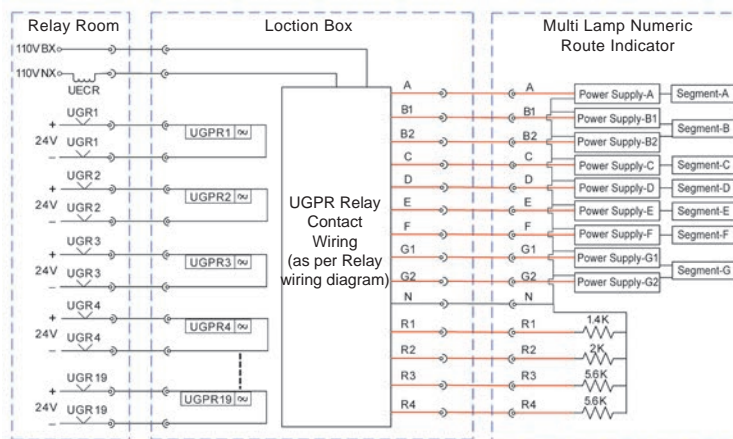
1-9 Single Digit with 'G' Indication



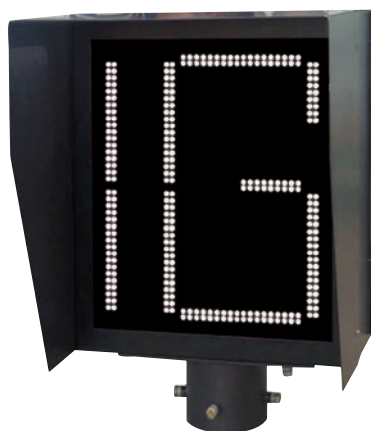
Mechanical Dimensions



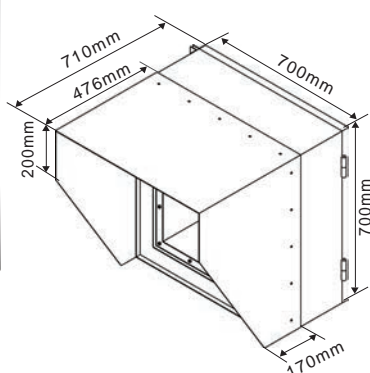
Wiring Diagram



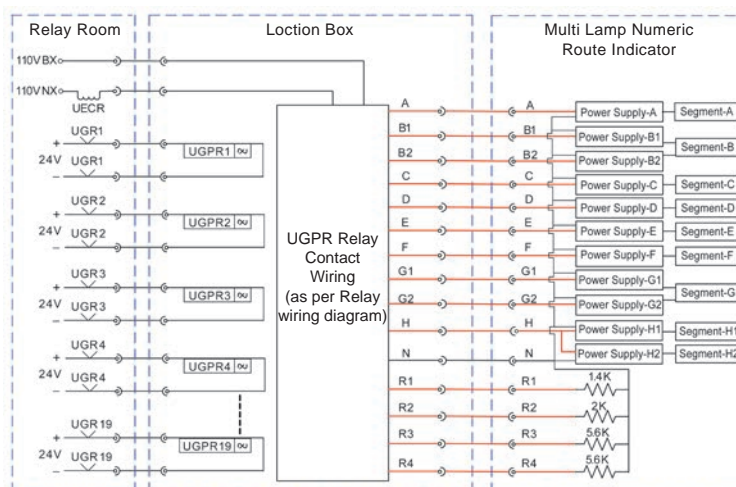
1-19 Double Digit with 'G' Indication



Mechanical Dimensions



Wiring Diagram



Features:

- ▶ Each Segment is constituted by a randomly interleaved series parallel combination of 36 LEDs.
- ▶ High Intensity LED's with UV stabilized epoxy, Junction Temperature greater than 100 degree, and of reputed make are used.
- ▶ Fusing of an LED will not blank the whole segment or deteriorate the visibility.
- ▶ The segment power supply driver is redundant in nature, in event of failure of the working supply the stand by supply will come into the circuit automatically.
- ▶ Components used in MLRI unit are of Industrial grade and appropriately derated for better life.
- ▶ AC Immunity of 60V.

Design Compliance:

- Environmental : IS: 9000 (relevant clauses)
- Ingress Protection : IP 54
- Chromaticity : White Class 'C' of BS 1376

Specifications:

- Operating I/P voltage : 110V AC +/-20% (88V to 132V)
- Operating temperature : -10°C to +70°C
- Operating I/P Current : 140mA -25%, +20% (105mA to 168mA)
- Digit Display : Numeric - 1 to 9, 1 to 19
- Colour of the display : White
- Visibility in clear day light : 400 Meters

Lamp Proving:

LED Multi Lamp Route Indicator can be configured to work with LED ECR.

'R & D'
Recognised by
DSIR
Govt. of INDIA

Efftronics Systems Pvt. Ltd.
ISO 9001 : 2008
20000873 QM08

Approved by
RDSO
Govt. of INDIA
Ministry of Railways

EFFTRONICS SYSTEMS PVT. LTD.
40-15-9, Brundavan Colony, Vijayawada-520 010, A.P., INDIA
☎ : +91(866) 2466675, 2493375 Fax: +91(866)2474097
E-mail: info@efftronics.com Visit: www.efftronics.com, www.effe.in