

Better Diagnostic Assessment of Medical X-Ray Radiographs



LED X-RAY FILM VIEWERS

Single Panel



Double Panel



Uniform Lighting

Dental X-Ray Film Viewer



Triple Panel



29 yrs Exp. in LED product Design & Manufacturing

Service centers all over INDIA

Customised Solutions

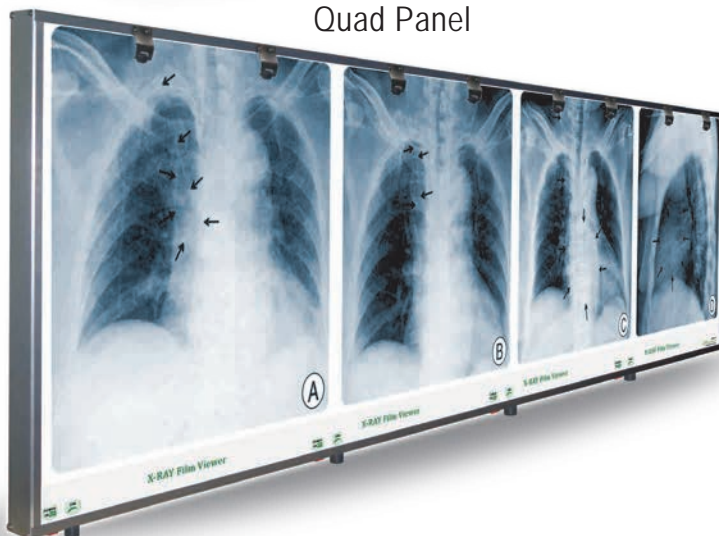
SCOPE OF APPLICATION

- Assessment of Medical X-Ray Radiographs.

SALIENT FEATURES

- Available in single, dual, triple and quad frames.
- Diffused, Adjustable, Cool light** source improves the visual acuity of the Radiograph.
- Designed with **LED's** of reputed makes for **maintenance of brightness** over longer life time and energy saving.
- Enhanced contrast** due to consistent spatial distribution enables to assess full range of densities to get better details of bones and soft tissues.

Quad Panel



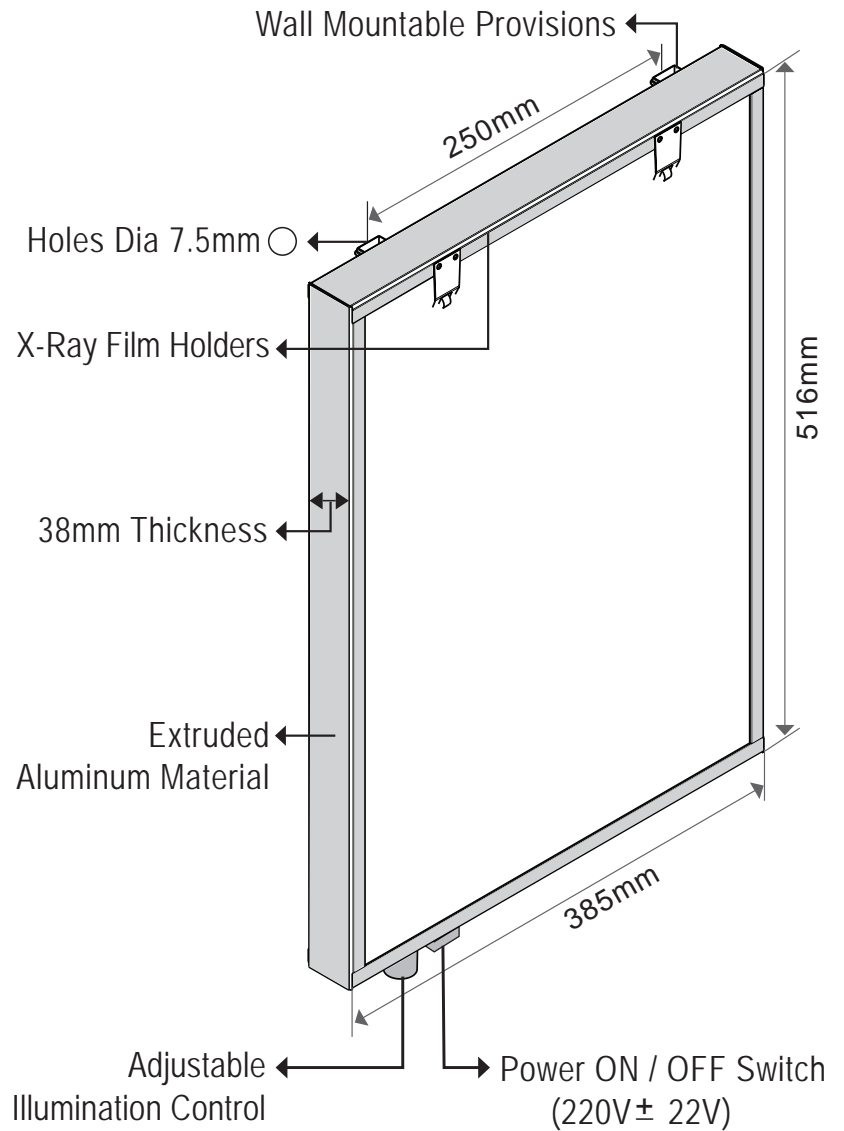
DIMENSIONS

X-Ray Viewer Version 1.0 Technical Specifications

Model Description	Viewing area (L X W in Inches)	Housing Size (L x W x D in Inches)	Lumen	Power Rating (Watts)	Mounting Provision
Single Panel	18 X 16	20.8 X 16.1 X 1.5	1500	18	Wall Mountable
Double Panel	18 X 30.5	20.8 X 31.5 X 1.5	3000	36	Wall Mountable
Triple Panel	18 X 46	20.8 X 47 X 1.5	4800	54	Wall Mountable / With Stand
Quad Panel	18 X 61.3	20.8 X 62.3 X 1.5	7300	72	Wall Mountable / With Stand
Dental	6 X 11.6	6.8 X 12.7 X 1.5	600	5	Table Top

LED X-RAY FILM VIEWER BOX

LED X-RAY FILM VIEWER BOX WITH ACTUAL FILM SIZE



DIMENSIONS

X-Ray Viewer Version 1.1 Technical Specifications

Model Description	Viewing area (L X W in Inches)	Housing Size (L x W x D in Inches)	Lumen	Power Rating (Watts)	Mounting Provision
Single Panel	17.3 X 14.1	20.3 X 15.1 X 1.7	1800	24	Wall Mountable
Double Panel	17.3 X 28.5	20.3 X 29.5 X 1.7	3750	48	Wall Mountable
Triple Panel	17.3 X 43	20.3 X 43.9 X 1.7	5700	71	Wall Mountable