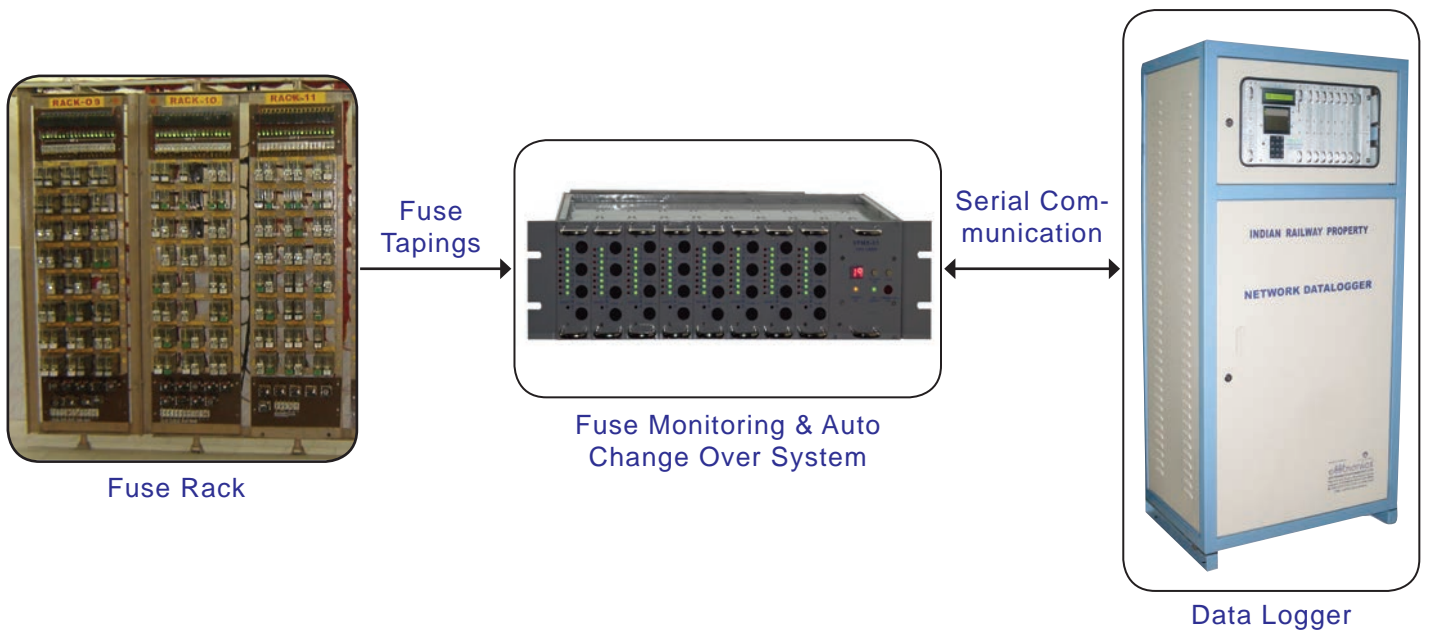
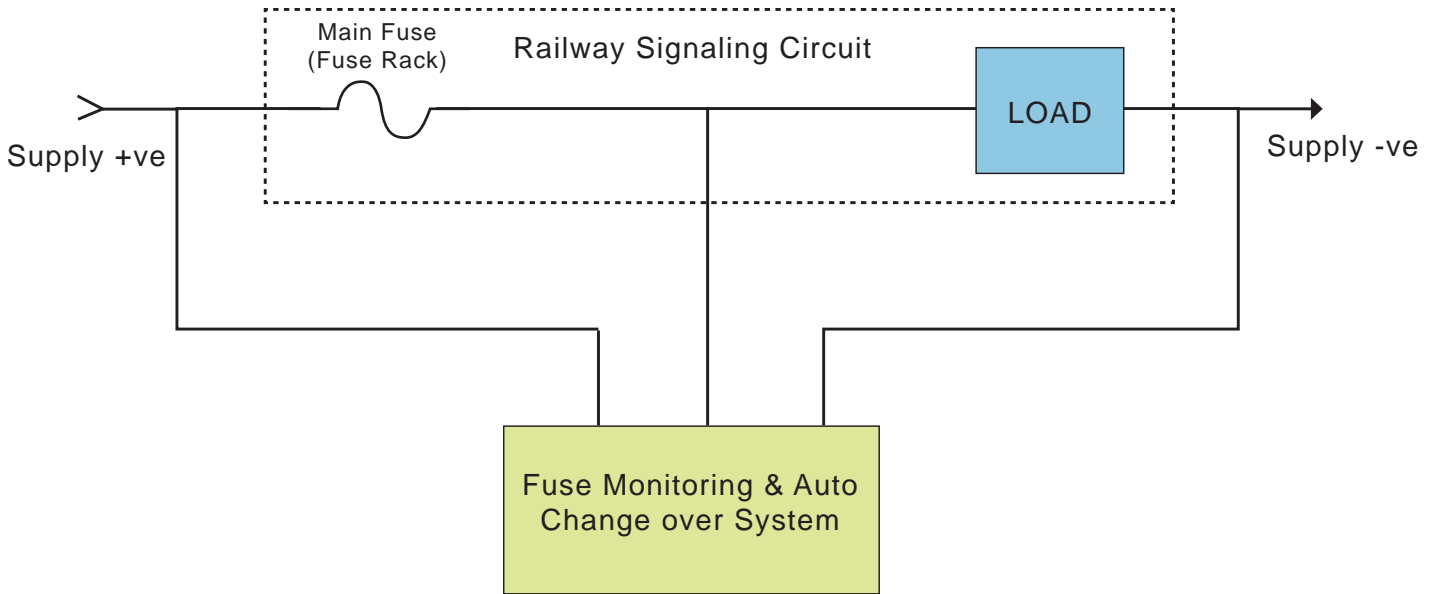


FUSE MONITORING & AUTO CHANGE OVER SYSTEM

Fuse Monitoring & Auto Change Over System enables online capturing of status of fuses & provision for automatic changing over of circuit operation from main fuse to standby fuse automatically, when main fuse is blown-off.

It improves reliability of signaling system from fuse failures due to transient faults. After replacing main fuse, Reset switch is to be pressed to change over to main fuse.



FUSE MONITORING & AUTO CHANGE OVER SYSTEM

FEATURES

- ❖ Provides isolation in monitoring circuit for every fuse.
- ❖ Provides the audio and visual indication for every fuse failure.
- ❖ Auto change over time from main fuse to standby fuse is less than 20 ms.
- ❖ The current drawn for monitoring the main fuse is less than 3mA.
- ❖ Potential free contact enables remote audio/visual indication.
- ❖ System can transfer the status of fuses (blown-off or healthy) in RDSO IRS/S/99/2006 specification format to the station Data logger.

SPECIFICATIONS

- Power Supply : Nominal 24V DC (18V to 32V)
- Working temperature : -10° C to +70° C
- Capacity to monitor:
 - Vital Fuse Monitoring System : 32 Channel
 - Non Vital Fuse Monitoring System : 64 Channel
- Voltage Ratings : 12V, 24V, 60V and 110V AC/DC
- Fuse Ratings : 0.63A to 4A(user requirement)
- Audio visible alert : When any of the fuse is blown-off, an audio alarm is given by the equipment which can be muted by pressing ACK button. Corresponding green & red LEDS will glow as follows
 - Green LED Lit: Fuse is Healthy
 - Red LED lit: Fuse is blown off
- Data Speed between FMS and Data Logger : 57.6 kbps through serial communication
- Clock synchronization : Synchronized with Data Logger Clock
- Dimensions : 482mm x 250mm x 133mm (19inch-3U)
- ID Setting : Configurable unique 8-bit ID for each interface equipment
- Watch dog reset : Watch dog facility enables automatic restart of the equipment whenever it goes to abnormal state